

JUMO GmbH & Co. KG
Delivery address: Mackenrodtstraße 14
36039 Fulda, Germany
Postal address: 36035 Fulda, Germany
Phone: +49 661 6003-0
Fax: +49 661 6003-607
Email: mail@jumo.net
Internet: www.jumo.net

JUMO Instrument Co. Ltd.
JUMO House
Temple Bank, Riverway
Harlow, Essex CM 20 2DY, UK
Phone: +44 1279 63 55 33
Fax: +44 1279 62 50 29
Email: sales@jumo.co.uk
Internet: www.jumo.co.uk

JUMO Process Control, Inc.
6733 Myers Road
East Syracuse, NY 13057, USA
Phone: +1 315 437 5866
Fax: +1 315 437 5860
Email: info.us@jumo.net
Internet: www.jumousa.com



Fittings for Membrane-Covered Sensors

202811/10 — Combination fitting

202811/20 — Flow monitor for disinfection measurands

202811/30 — Individual fitting for membrane-covered sensors

General information

According to data sheets 202630 to 202636 for measurands of water disinfectant and water treatment (e.g. free chlorine and total chlorine, chlorine dioxide, ozone, hydrogen peroxide, and peracetic acid), membrane-covered sensors must have fittings for correct operation and as an option can also be monitored for correct inflow velocity.

Combination fitting (type 202811/10...)

The compact combination fitting can hold several electro-chemical sensors and is typically used for disinfection monitoring of drinking and bathwater as well as slightly polluted process and cooling water. The sensors are easily visible through the fitting's crystal-clear design and can be visually inspected for pollutants.

Flow monitor (type 202811/20...)

The flow monitor monitors the minimum inflow when using membrane-covered sensors and is recommended as an extension to the individual fitting 202811/30...

Individual fitting (type 202811/30...)

The individual fitting is intended to hold an individual membrane-covered sensor. Besides the slot for the sensor, the fitting also has a ground pin to discharge any parasitic currents.



Type 202811/10...



Type 202811/20...



Type 202811/30...

JUMO GmbH & Co. KG

Delivery address: Mackenrodtstraße 14
36039 Fulda, Germany
Postal address: 36035 Fulda, Germany
Phone: +49 661 6003-0
Fax: +49 661 6003-607
Email: mail@jumo.net
Internet: www.jumo.net

JUMO Instrument Co. Ltd.

JUMO House
Temple Bank, Riverway
Harlow, Essex CM 20 2DY, UK
Phone: +44 1279 63 55 33
Fax: +44 1279 62 50 29
Email: sales@jumo.co.uk
Internet: www.jumo.co.uk

JUMO Process Control, Inc.

6733 Myers Road
East Syracuse, NY 13057, USA
Phone: +1 315 437 5866
Fax: +1 315 437 5860
Email: info.us@jumo.net
Internet: www.jumousa.com



Combination fitting

Brief description

The combination fitting type 202811/10... is intended to hold several electrochemical sensors. Typical use includes disinfection monitoring of drinking and bathwater as well as slightly polluted process and cooling water. With its compact design type, the fitting allows for a space-saving combination of several sensors and is usually used in a bypass or downstream of a tap on the main line. The sensors are easily visible through the fitting's crystal-clear design and can be visually inspected for pollutants.

In the maximum version, 2 sensors with Pg 13.5 thread (e.g. for pH value and Redox), 1 membrane-covered sensor Ø 25 mm for disinfection check (e.g. for free chlorine, chlorine dioxide) as well as a temperature probe with M14 x 1.5 thread. Furthermore, in the measuring water inflow, there is flow monitor according to the floating body principle with an inductive proximity switch. This acts to monitor a sufficient and constant inflow of the membrane-covered sensor. A ground pin can also be installed to discharge any electrostatic charges.

The water flows in and out of the fitting through plug-in connections for hoses with an inner diameter of Ø 6 mm. The flow velocity can be adjusted as required using the needle valve.

Thanks to the adept arrangement of the sensors and flow channels, bubble-free operation of the sensors is virtually possible. The accumulation of air that can lead to distorted measured values is prevented. Unnecessary slots can be blocked before startup by the blanking plugs contained in the scope of delivery.

In order to facilitate sampling for calibration (for free chlorine, for instance), it is possible to extend the combination fitting with a mini ball valve.

Typically, the full set of features for a drinking or bathwater measuring point consists of pH and Redox sensors (Pg 13.5, insertion length 120 mm), membrane-covered sensors for free chlorine, temperature probe, ground pin, and flow monitor.

Flow monitor, temperature probe, and ground pin can be obtained with the fitting when placing the order (see chapter "Order details", page 12) and easily fitted by the user. The electrochemical sensors (e.g. pH, Redox, free chlorine) must be ordered separately.

Areas of application

- Disinfection monitoring of drinking and bathwater
- Monitoring of slightly polluted process and cooling water



Type 202811/10...

JUMO GmbH & Co. KG
 Delivery address: Mackenrodtstraße 14
 36039 Fulda, Germany
 Postal address: 36035 Fulda, Germany
 Phone: +49 661 6003-0
 Fax: +49 661 6003-607
 Email: mail@jumo.net
 Internet: www.jumo.net

JUMO Instrument Co. Ltd.
 JUMO House
 Temple Bank, Riverway
 Harlow, Essex CM 20 2DY, UK
 Phone: +44 1279 63 55 33
 Fax: +44 1279 62 50 29
 Email: sales@jumo.co.uk
 Internet: www.jumo.co.uk

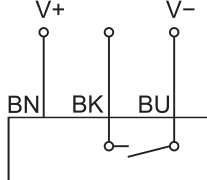
JUMO Process Control, Inc.
 6733 Myers Road
 East Syracuse, NY 13057, USA
 Phone: +1 315 437 5866
 Fax: +1 315 437 5860
 Email: info.us@jumo.net
 Internet: www.jumousa.com



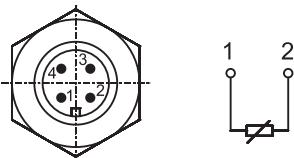
Technical data

Materials	Mounting block: PMMA GS Fitting: POM, PP, PPO, PVC Temperature probe: Stainless steel 1.4571 Floating body: Stainless steel 1.4571 Ground pin: Stainless steel 1.4571
Temperature range	0 to 60 °C deviating temperature ranges must be taken into account for the sensors utilized
Pressure range	0 to 1 bar
Sensor mountings	2 mountings for sensors with Pg 13.5 thread 1 mounting for membrane-covered sensors Ø 25 mm 1 mounting for temperature probe with M14 x 1.5 thread, max. insertion length 30 mm 1 mounting for inductive proximity sensor with M12 x 1 thread
Process connection	Fitting G1/4 for hose 6 x 8 (inner Ø 6 mm, outer Ø 8 mm)
Weight	approx. 1820 g (with series accessory, without sensors)

Inductive proximity sensor

Circuit diagram	Switching contact = NPN N/O contact (appearance = minimum inflow velocity not reached) 
Operating voltage	DC 5 to 36 V
Current consumption without load	< 10 mA
Ampacity	200 mA
Voltage drop	< 1.5 V
Protection type	IP67

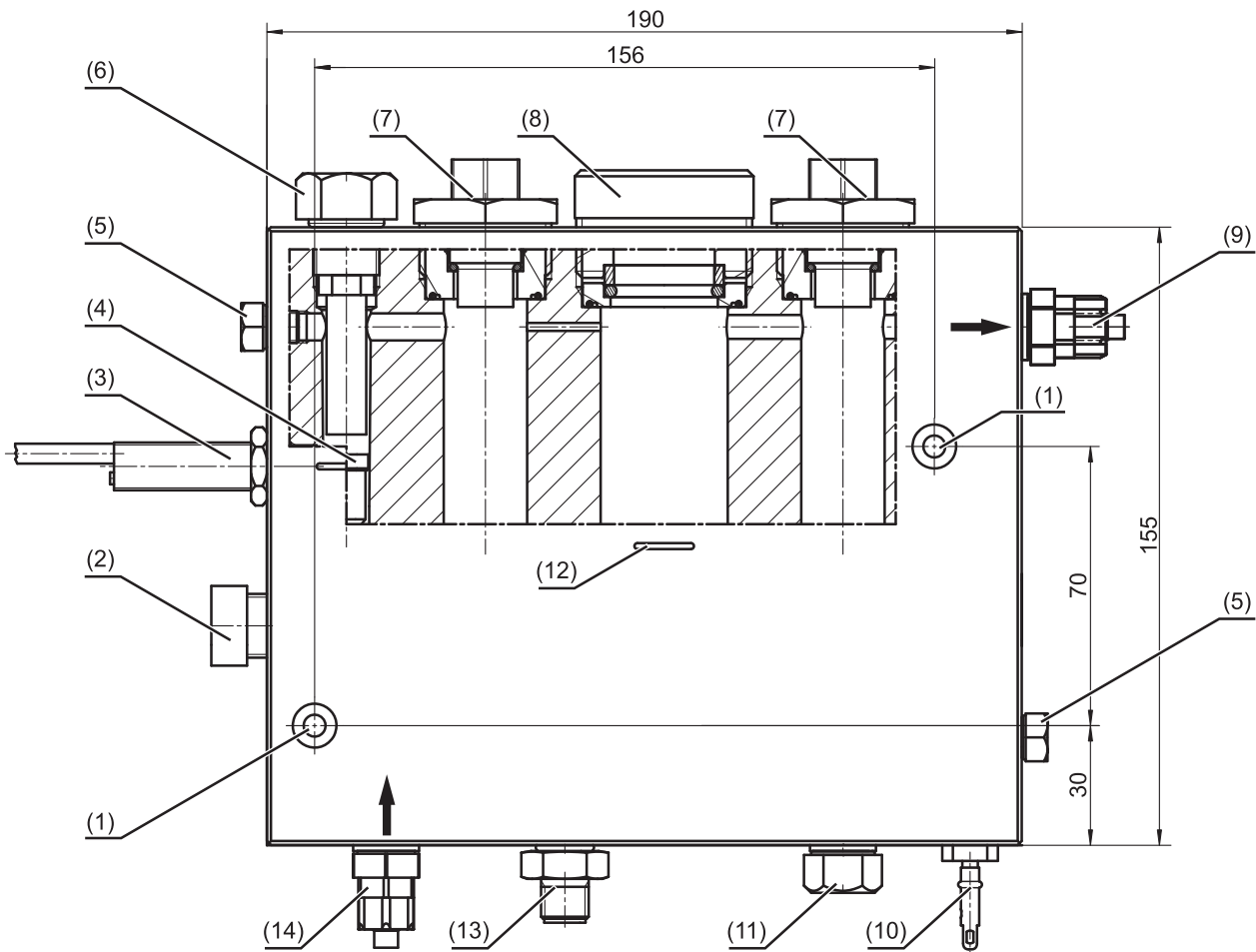
Temperature probe

Connection for M12 machine connector	
Protection type	IP 67 when plugged in

Dimensions

Combination fitting

Type 202811/10...



- (1) Mounting hole for cylinder head screws M5 (\varnothing 5.5 mm; countersink according to DIN 974-1: \varnothing 11 mm, 5 mm deep)
- (2) Valve insert for flow control
- (3) Inductive proximity sensor^a(flow monitoring), M12 x 1 thread
- (4) Floating body for flow monitoring^a
- (5) Sealing screw M8
- (6) Sealing screw G 3/8
- (7) Mounting closed with dummy plug for pH/Redox sensor with Pg 13.5 thread
- (8) Mounting for membrane-covered sensor with \varnothing 25 mm
- (9) Hose connection for measuring water outflow, connection G 1/4, for hose 6 x 8 (inner \varnothing 6 mm, outer \varnothing 8 mm)
- (10) Ground pin^a
- (11) Sealing screw G 1/4 (opening for optional mini ball valve for sampling)
- (12) Indicator for sensor immersion depth
- (13) Temperature probe^a
- (14) Hose connection for measuring water inflow, connection to fitting G 1/4, for hose 6 x 8 (inner \varnothing 6 mm, outer \varnothing 8 mm)

^a optional

JUMO GmbH & Co. KG

Delivery address: Mackenrodtstraße 14
36039 Fulda, Germany
Postal address: 36035 Fulda, Germany
Phone: +49 661 6003-0
Fax: +49 661 6003-607
Email: mail@jumo.net
Internet: www.jumo.net

JUMO Instrument Co. Ltd.

JUMO House
Temple Bank, Riverway
Harlow, Essex CM 20 2DY, UK
Phone: +44 1279 63 55 33
Fax: +44 1279 62 50 29
Email: sales@jumo.co.uk
Internet: www.jumo.co.uk

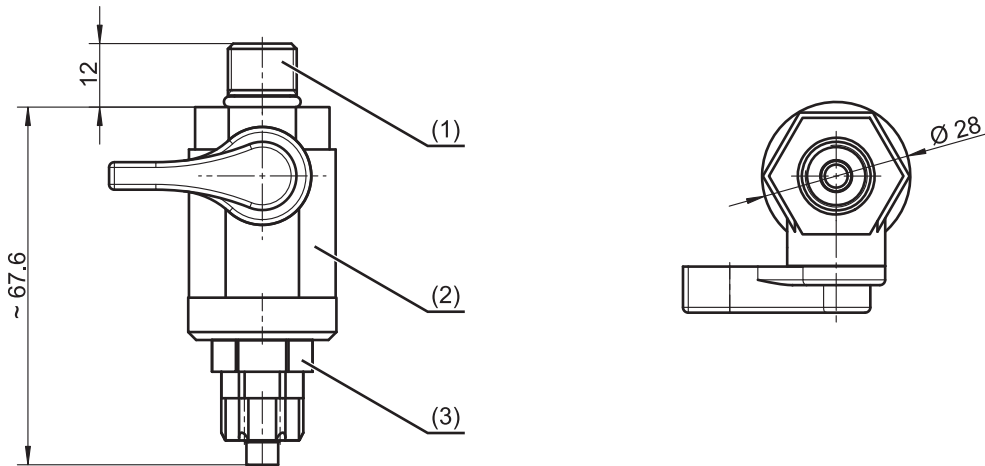
JUMO Process Control, Inc.

6733 Myers Road
East Syracuse, NY 13057, USA
Phone: +1 315 437 5866
Fax: +1 315 437 5860
Email: info.us@jumo.net
Internet: www.jumousa.com

**Accessories**

Mini ball valve made from PVC for combination fitting type 202811/10... for sampling.

For installation location see Pos. 11 in chapter "Dimensions", page 4



- (1) Connection thread G 1/4
- (2) Mini ball valve made from PVC, part no. 00402210
- (3) Hose connection for hose 6 × 8 (inner Ø 6 mm, outer Ø 8 mm)

JUMO GmbH & Co. KG
Delivery address: Mackenrodtstraße 14
36039 Fulda, Germany
Postal address: 36035 Fulda, Germany
Phone: +49 661 6003-0
Fax: +49 661 6003-607
Email: mail@jumo.net
Internet: www.jumo.net

JUMO Instrument Co. Ltd.
JUMO House
Temple Bank, Riverway
Harlow, Essex CM 20 2DY, UK
Phone: +44 1279 63 55 33
Fax: +44 1279 62 50 29
Email: sales@jumo.co.uk
Internet: www.jumo.co.uk

JUMO Process Control, Inc.
6733 Myers Road
East Syracuse, NY 13057, USA
Phone: +1 315 437 5866
Fax: +1 315 437 5860
Email: info.us@jumo.net
Internet: www.jumousa.com



Flow monitor for disinfection measurements

Brief description

Membrane-covered sensors for water disinfection (for instance, free chlorine or total chlorine, ozone, chlorine dioxide, etc. - see JUMO data sheets 202630 to 202636) must be operated with a minimum inflow of 15 cm/s. The flow monitor type 202811/20... is integrated in the measuring water supply, in line with the disinfection sensor, and monitors the required minimum inflow to the sensor.

Values measured by the sensors below the minimum inflow speed are too low. This can cause dangerous overdosage or underdosage in a connected regulating system. If values are measured above the minimum inflow speed, the measurement signal is only marginally influenced by the inflow speed.

The flow monitor consists of a flow unit, a needle valve insert for flow control, and an inductive proximity sensor, which is controlled by a float at medium flow. If the minimum inflow speed is reached or exceeded, the float lifts and the contact of the inductive proximity sensor switches. The contact, for instance, can be used to control a binary input for standard signals on the controller, JUMO AQUIS 500 AS. If the inflow is too low, the controller is moved to the "HOLD" status. This helps to avoid incorrect dosages.

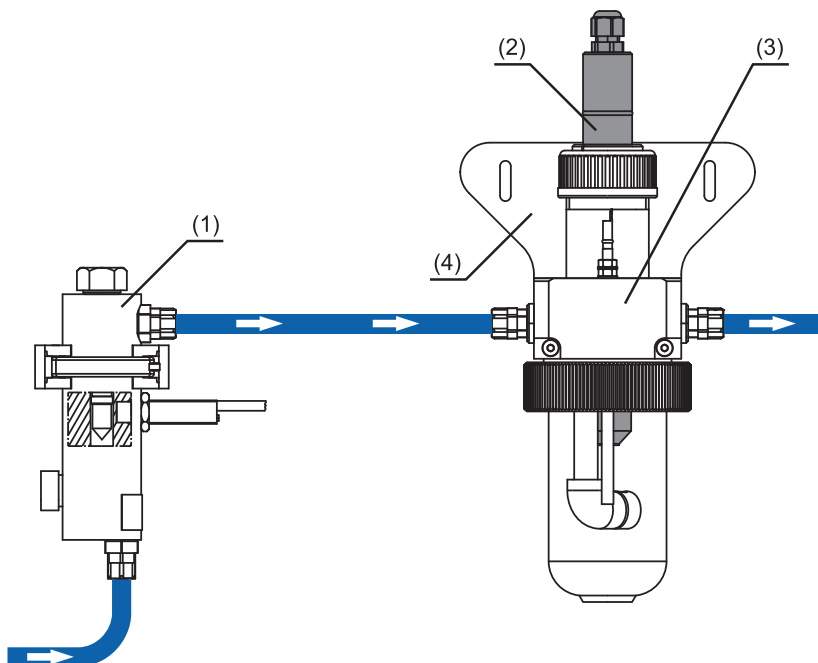


Type 202811/20...

Areas of application

- Flow monitoring using sensors for free chlorine, chlorine dioxide, ozone, hydrogen peroxide, or peracetic acid

Application example



- (1) Flow monitor, type 202811/20...
- (2) Membrane-covered sensor, type 20263x/...
- (3) Flow fitting for membrane-covered sensors, type 202811/30..., see chapter "Flow fitting for membrane-covered sensors", page 9
- (4) Fixing bracket made from stainless steel, part no. 00455706

JUMO GmbH & Co. KG
 Delivery address: Mackenrodtstraße 14
 36039 Fulda, Germany
 Postal address: 36035 Fulda, Germany
 Phone: +49 661 6003-0
 Fax: +49 661 6003-607
 Email: mail@jumo.net
 Internet: www.jumo.net

JUMO Instrument Co. Ltd.
 JUMO House
 Temple Bank, Riverway
 Harlow, Essex CM 20 2DY, UK
 Phone: +44 1279 63 55 33
 Fax: +44 1279 62 50 29
 Email: sales@jumo.co.uk
 Internet: www.jumo.co.uk

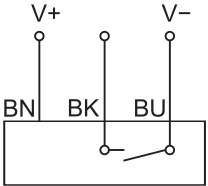
JUMO Process Control, Inc.
 6733 Myers Road
 East Syracuse, NY 13057, USA
 Phone: +1 315 437 5866
 Fax: +1 315 437 5860
 Email: info.us@jumo.net
 Internet: www.jumousa.com



Technical data

Materials	Flow body: PMMA GS Fitting: POM, PVC, PP Floating body: Stainless steel 1.4571
Temperature range	0 to 60 °C
Pressure range	1 bar at 60 C, 6 bar at 25 °C
Process connection	Fitting G1/4 for hose 6 × 8 (inner Ø 6 mm, outer Ø 8 mm)
Weight	approx. 250 g

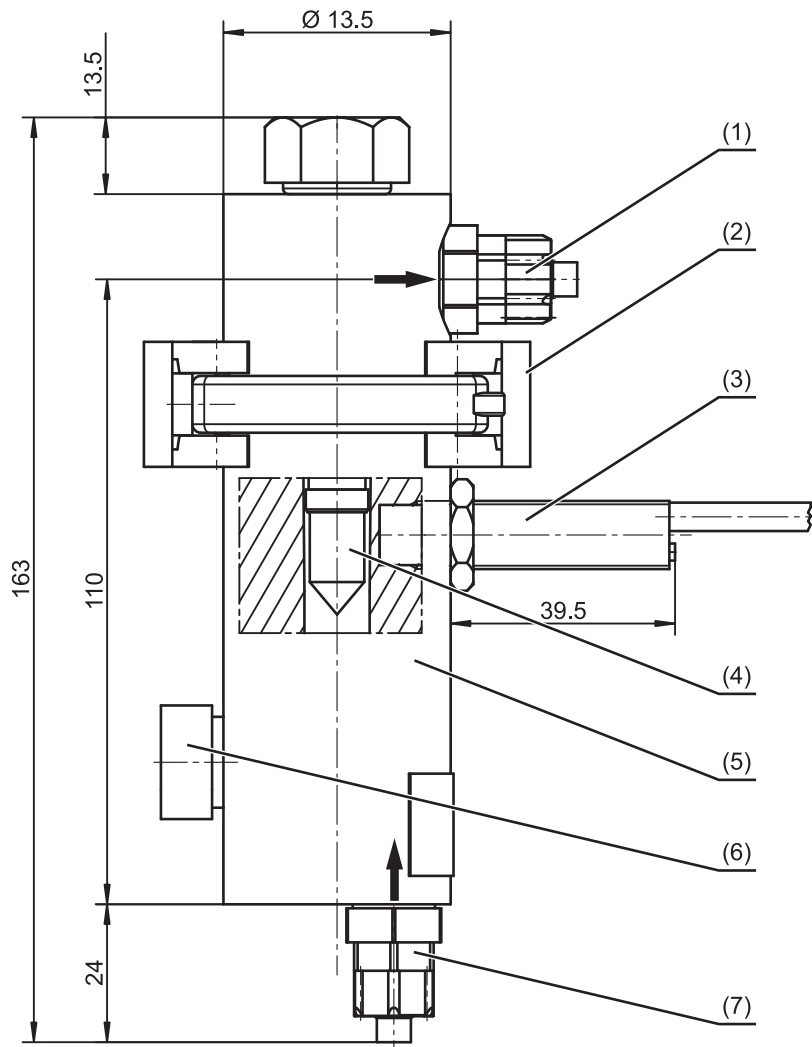
Inductive proximity sensor

Circuit diagram	Switching contact = NPN N/O contact (appearance = minimum inflow velocity not reached) 
Operating voltage	DC 5 to 36 V
Current consumption without load	< 10 mA
Ampacity	200 mA
Voltage drop	< 1.5 V
Protection type	IP67

Dimensions

Flow monitor

Type 202811/20...



- (1) Hose connection for measuring water outflow, connection G 1/4, for hose 6 × 8 (inner Ø 6 mm, outer Ø 8 mm)
- (2) Pipe clip
- (3) Inductive proximity sensor, M12 x 1 thread
- (4) Floating body
- (5) Flow body
- (6) Needle valve insert for flow control
- (7) Hose fitting for measuring water inflow, connection G 1/4, for pipe 6 × 8 (inner Ø 6 mm, outer Ø 8 mm)

JUMO GmbH & Co. KG
Delivery address: Mackenrodtstraße 14
36039 Fulda, Germany
Postal address: 36035 Fulda, Germany
Phone: +49 661 6003-0
Fax: +49 661 6003-607
Email: mail@jumo.net
Internet: www.jumo.net

JUMO Instrument Co. Ltd.
JUMO House
Temple Bank, Riverway
Harlow, Essex CM 20 2DY, UK
Phone: +44 1279 63 55 33
Fax: +44 1279 62 50 29
Email: sales@jumo.co.uk
Internet: www.jumo.co.uk

JUMO Process Control, Inc.
6733 Myers Road
East Syracuse, NY 13057, USA
Phone: +1 315 437 5866
Fax: +1 315 437 5860
Email: info.us@jumo.net
Internet: www.jumousa.com



Flow fitting for membrane-covered sensors

Brief description

The flow fitting is intended to hold an individual membrane-covered sensor as described in the data sheets 202630 to 202636. The fitting is generally mounted in the bypass and, thanks to its special design type, provides the correct inflow for the sensor.

The flow monitor type 202811/20....is recommended as an extension for monitoring the minimum inflow speed of a sensor.

The standard ground rod of the fitting enables the discharge of undesired electrical and electrostatic voltage potentials, which occur in complex plants and can distort the measured values.

Scope of application

- Protection fitting for sensors for chlorine, chlorine dioxide, ozone, etc. according to data sheets 202630 to 202636 in the drinking water and bathwater sector and for only slightly polluted process and cooling water



Type 202811/30...

JUMO GmbH & Co. KG

Delivery address: Mackenrodtstraße 14
36039 Fulda, Germany
Postal address: 36035 Fulda, Germany
Phone: +49 661 6003-0
Fax: +49 661 6003-607
Email: mail@jumo.net
Internet: www.jumo.net

JUMO Instrument Co. Ltd.

JUMO House
Temple Bank, Riverway
Harlow, Essex CM 20 2DY, UK
Phone: +44 1279 63 55 33
Fax: +44 1279 62 50 29
Email: sales@jumo.co.uk
Internet: www.jumo.co.uk

JUMO Process Control, Inc.

6733 Myers Road
East Syracuse, NY 13057, USA
Phone: +1 315 437 5866
Fax: +1 315 437 5860
Email: info.us@jumo.net
Internet: www.jumousa.com



Technical data

Materials	Case: PVC Measuring vessel: PC Seals: FPM
Temperature range	0 to 50 °C deviating temperature ranges must be taken into account for the sensors utilized
Pressure range	1 bar at 0 to 50 °C
Electrode holder	Fitting Pg 13.5 for 1 measured value transducer (dummy plugs included)
Process connection	G1/2A
Protection type	IP65, EN 60529
Weight	Approx. 900 g

JUMO GmbH & Co. KG
 Delivery address: Mackenrodtstraße 14
 36039 Fulda, Germany
 Postal address: 36035 Fulda, Germany
 Phone: +49 661 6003-0
 Fax: +49 661 6003-607
 Email: mail@jumo.net
 Internet: www.jumo.net

JUMO Instrument Co. Ltd.
 JUMO House
 Temple Bank, Riverway
 Harlow, Essex CM 20 2DY, UK
 Phone: +44 1279 63 55 33
 Fax: +44 1279 62 50 29
 Email: sales@jumo.co.uk
 Internet: www.jumo.co.uk

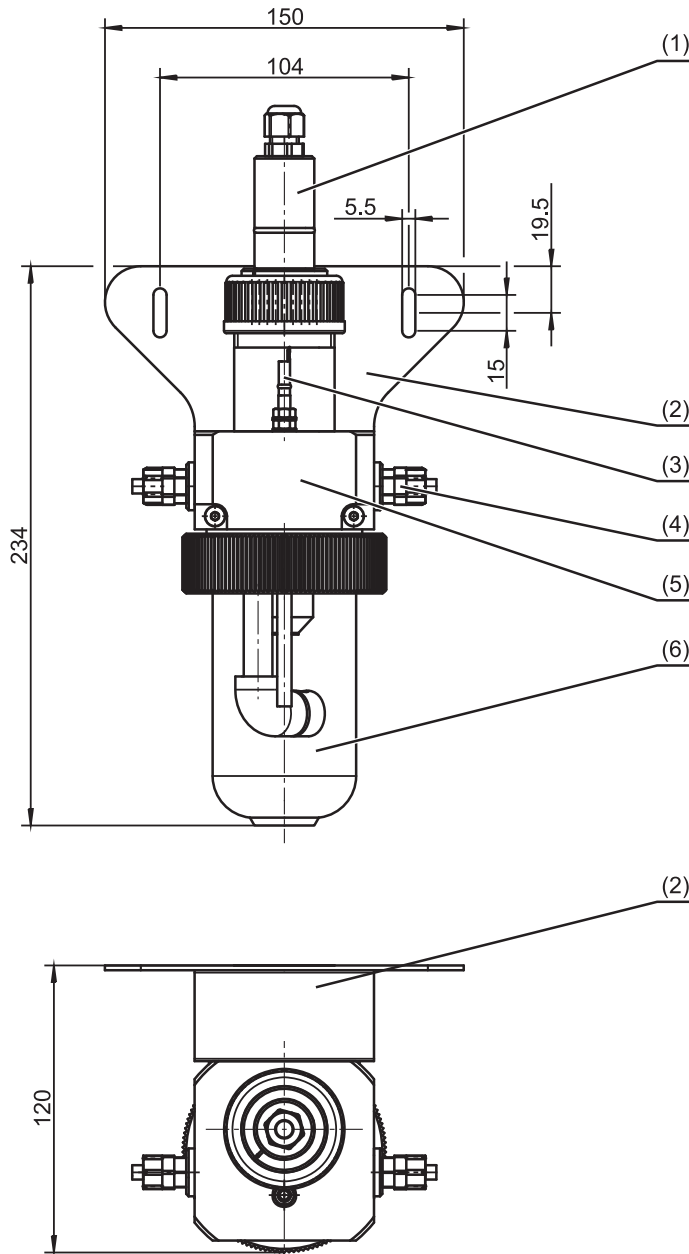
JUMO Process Control, Inc.
 6733 Myers Road
 East Syracuse, NY 13057, USA
 Phone: +1 315 437 5866
 Fax: +1 315 437 5860
 Email: info.us@jumo.net
 Internet: www.jumousa.com



Dimensions

Flow fitting

Type 202811/30...



- (1) Sensor
- (2) Mounting bracket (optional)
- (3) Ground pin
- (4) Connection G 1/4, for hose 6 × 8 (inner Ø 6 mm, outer Ø 8 mm)
- (5) Fitting
- (6) Removable measuring vessel (inspection glass)

JUMO GmbH & Co. KG
 Delivery address: Mackenrodtstraße 14
 36039 Fulda, Germany
 Postal address: 36035 Fulda, Germany
 Phone: +49 661 6003-0
 Fax: +49 661 6003-607
 Email: mail@jumo.net
 Internet: www.jumo.net

JUMO Instrument Co. Ltd.
 JUMO House
 Temple Bank, Riverway
 Harlow, Essex CM 20 2DY, UK
 Phone: +44 1279 63 55 33
 Fax: +44 1279 62 50 29
 Email: sales@jumo.co.uk
 Internet: www.jumo.co.uk

JUMO Process Control, Inc.
 6733 Myers Road
 East Syracuse, NY 13057, USA
 Phone: +1 315 437 5866
 Fax: +1 315 437 5860
 Email: info.us@jumo.net
 Internet: www.jumousa.com



Order details

(1) Basic type	
202811/10	Combination fitting for mounting electrochemical sensors
202811/20	Flow monitor for disinfection measurands
202811/30	Flow fitting for membrane-covered sensors
(2) Equipment 1	
0000	without temperature probe
1003	integrated Pt100 temperature probe, electrical connection M12 (4-pin) ^a
(3) Equipment 2	
00	without flow monitor
10	with flow monitor, fixed cable connection 2 m with tin-plated wire ends ^b
(4) Process connection	
308	Screw connection G 1/4 with connection for hose 6×8 (inner Ø 6 mm, outer Ø 8 mm)
(5) Extra codes	
000	Without
055	Ground pin ^c

^a Only possible with type 202811/10

^b Not possible for type 202811/30

^c Not possible for type 202811/20

Order code	(1)	-	(2)	-	(3)	-	(4)	/	(5)
Order example	202811/10	-	1003	-	10	-	308	/	055

Important information:

The order code is not modular. When placing orders, if possible please select the items listed under "**Stock versions**" or "**Production versions**". We must check the technical feasibility of and approve freely chosen combinations of individual code parts.

JUMO GmbH & Co. KG

Delivery address: Mackenrodtstraße 14
36039 Fulda, Germany
Postal address: 36035 Fulda, Germany
Phone: +49 661 6003-0
Fax: +49 661 6003-607
Email: mail@jumo.net
Internet: www.jumo.net

JUMO Instrument Co. Ltd.

JUMO House
Temple Bank, Riverway
Harlow, Essex CM 20 2DY, UK
Phone: +44 1279 63 55 33
Fax: +44 1279 62 50 29
Email: sales@jumo.co.uk
Internet: www.jumo.co.uk

JUMO Process Control, Inc.

6733 Myers Road
East Syracuse, NY 13057, USA
Phone: +1 315 437 5866
Fax: +1 315 437 5860
Email: info.us@jumo.net
Internet: www.jumousa.com



Scope of delivery

1 combination fitting/flow monitor/flow fitting in the version ordered
1 operating manual B 202811.0

Stock versions

(Delivery within 3 working days after receipt of order)

Type	Part no.
202811/10-1003-10-308/055 ^a	00607325
202811/20-0000-10-308/000	00605507
202811/30-0000-00-308/055	00392611

^a mini ball valve included

Accessories

(Delivery within 10 working days after receipt of order)

Connecting cables for temperature probe

Description	Parts no.
PVC connecting cable, length 2 m, with 4-pin M12 cable socket (straight)	00404585
PVC connecting cable, length 5 m, with 5-pin M12 cable socket (straight)	00337625

Other

Description	Parts no.
Sealing set with 9 replacement seals, for type 202811/10...	00618085
Mini ball valve made from PVC for sampling, for type 202811/10...	00402210
Mounting bracket for flow fitting (type 202811/30)	00455706